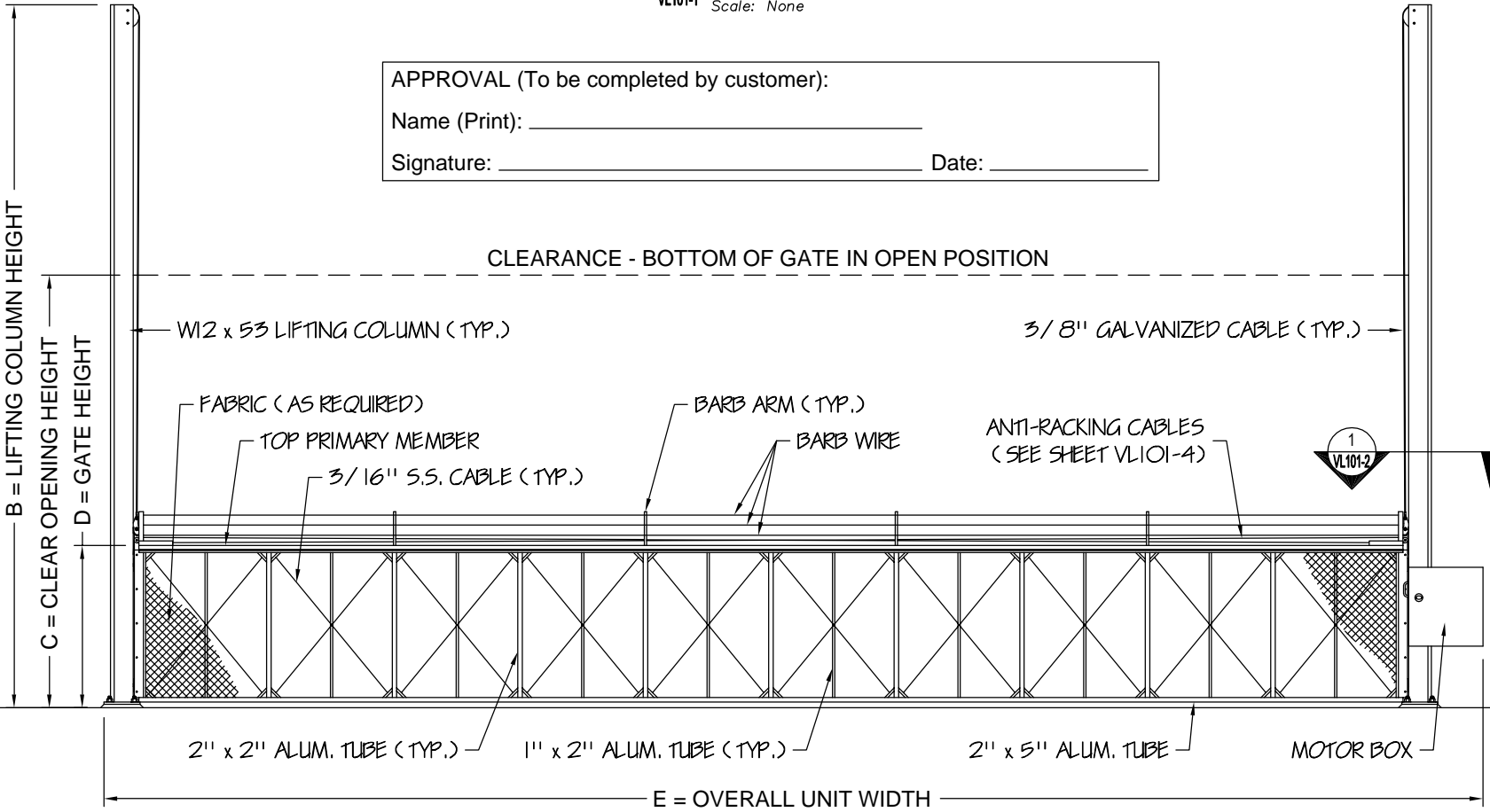


1 **PLAN VIEW**  
VL101-1 Scale: None

APPROVAL (To be completed by customer):  
Name (Print): \_\_\_\_\_  
Signature: \_\_\_\_\_ Date: \_\_\_\_\_



2 **ELEVATION**  
VL101-1 Scale: None

NOMINAL GATE SIZE

**CRITICAL DIMENSION CHART**

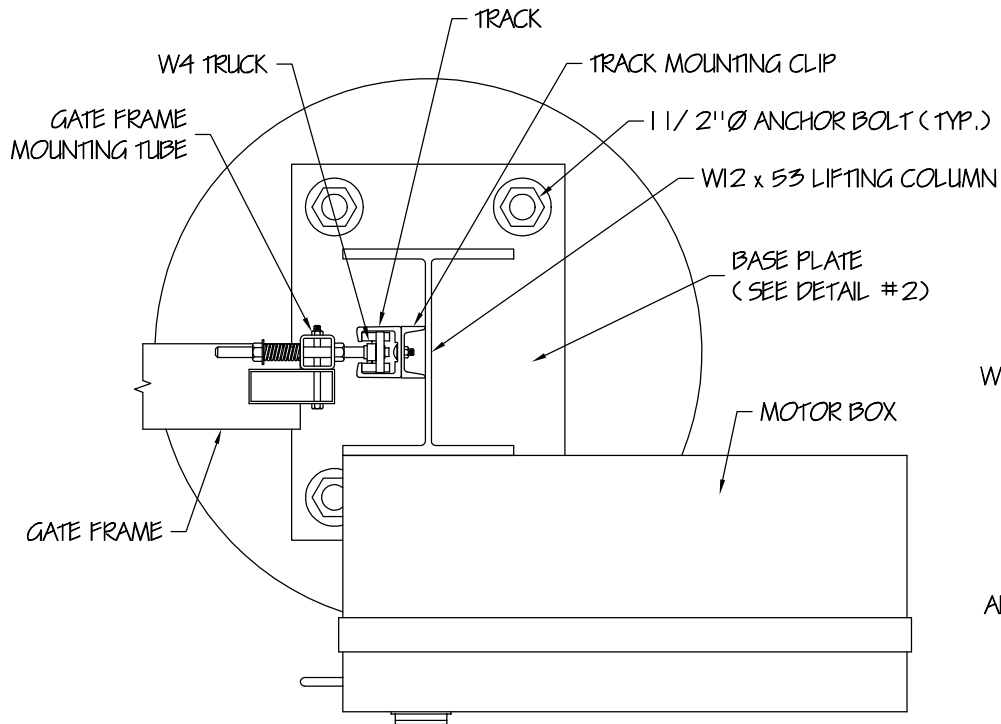
A	CLEAR OPENING WIDTH	D	GATE HEIGHT
B	LIFTING COLUMN HEIGHT	E	OVERALL UNIT WIDTH
C	CLEAR OPENING		

PROJECT: Heavy Duty Vertical Lift Gate  
SUBJECT: Heavy Duty Vertical Lift Gate  
CONTRACTOR: \_\_\_\_\_  
ARCHITECT/ENGINEER: \_\_\_\_\_

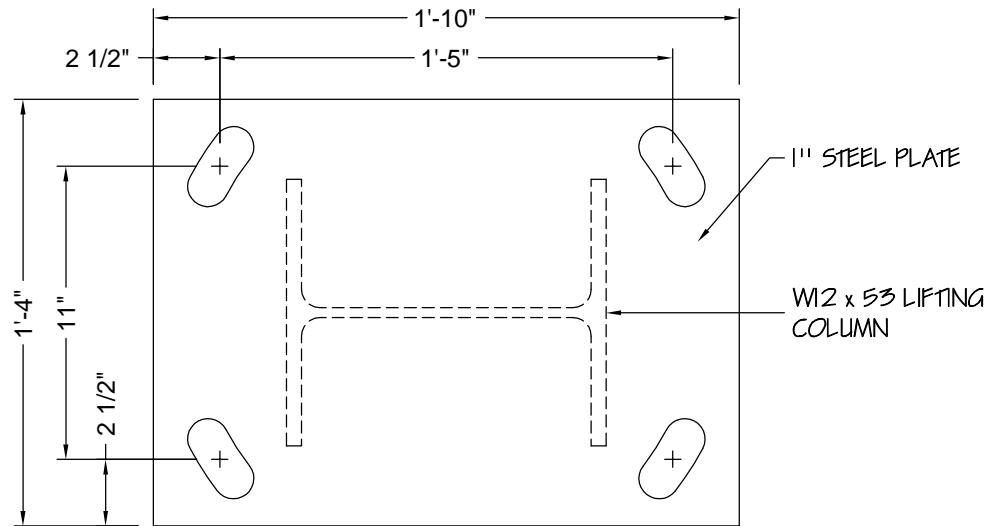
DATE: 5-12-05  
DRAWN BY: KEH  
SCALE: As Noted  
REVISION LEVEL: 7

TYMETAL CORP.  
www.tymetal.com  
2549 STATE ROUTE 40  
GREENWICH, N.Y. 12834  
PH: (800) 328-4283 - FX: (518) 692-9404

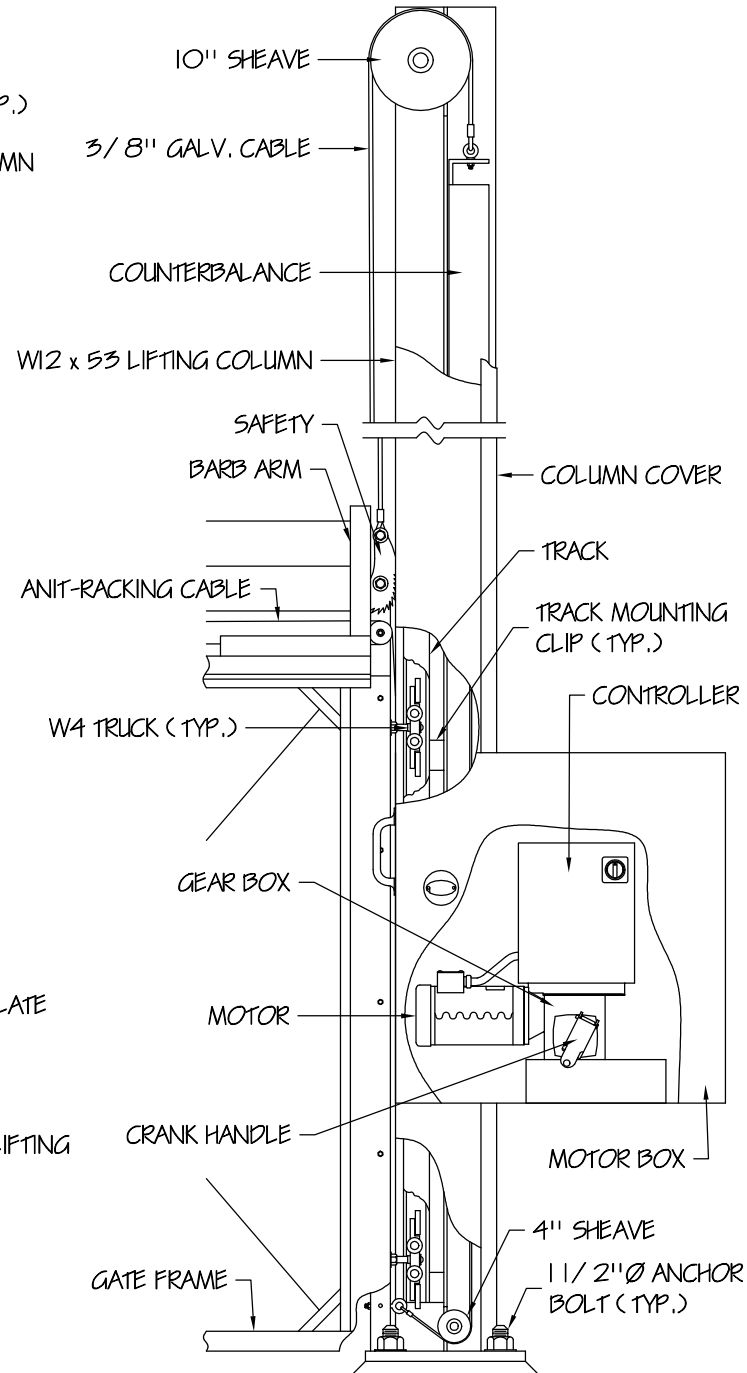
DIRECTORY\CAD FILE: Heavy Duty Vertical Lift R7  
SHEET NUMBER: 1 of 4  
DRAWING NUMBER: VL101-1



**1 DRIVE ASSEMBLY PLAN**  
VL101-1 Scale: None



**2 BASE PLATE DETAIL**  
VL101-1 Scale: None



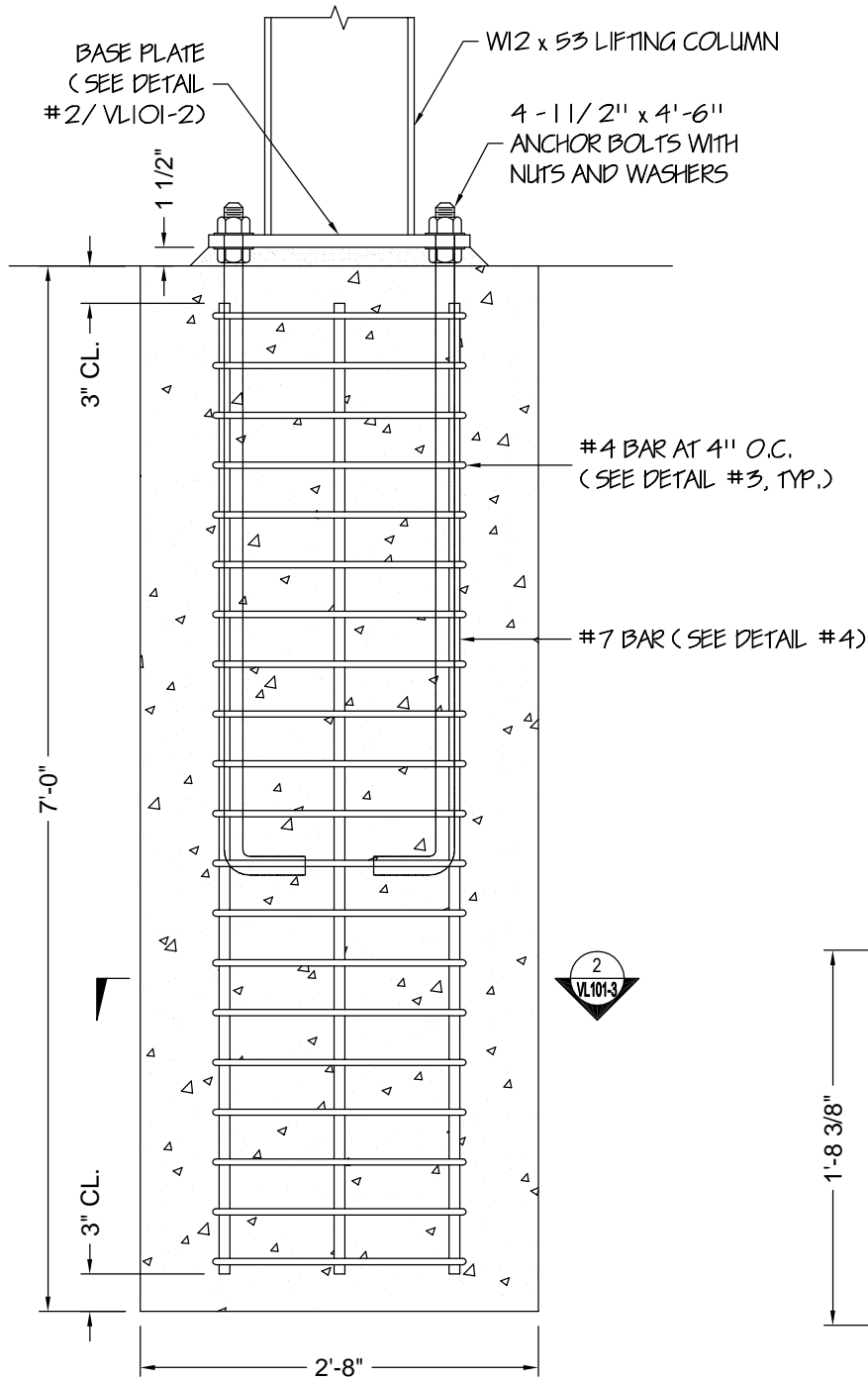
**3 DRIVE ASSEMBLY ELEVATION**  
VL101-2 Scale: None

DIRECTORY\CAD FILE:  
**Heavy Duty Vertical Lift R7**  
SHEET NUMBER:  
**2 of 4**  
DRAWING NUMBER:  
**VL101-2**

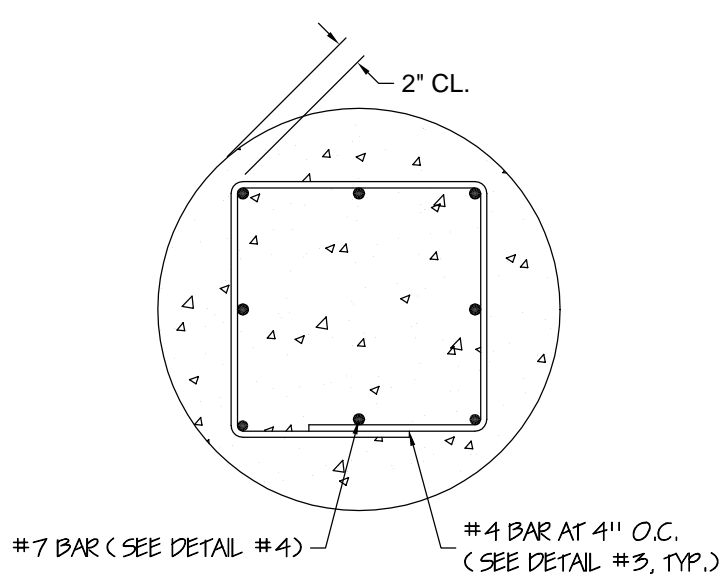
PROJECT:  
**Vertical Lift Gate Details**  
SUBJECT:  
CONTRACTOR:  
ARCHITECT/ENGINEER:

DATE:  
**5-12-05**  
DRAWN BY:  
**KEH**  
SCALE:  
**As Noted**  
REVISION LEVEL:  
**7**

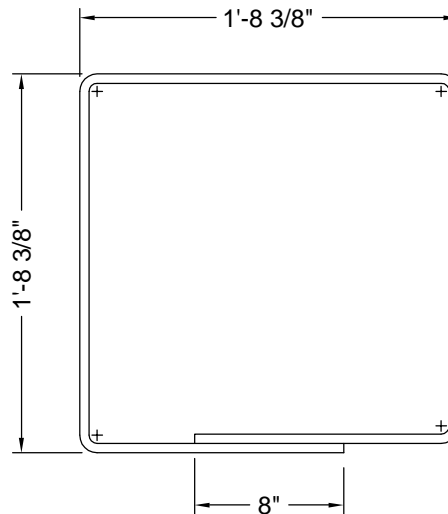
**TYMETAL CORP.**  
www.tymetal.com  
2549 STATE ROUTE 40  
GREENWICH, N.Y. 12834  
PH: (800) 328-4283 - FX: (518) 692-9404



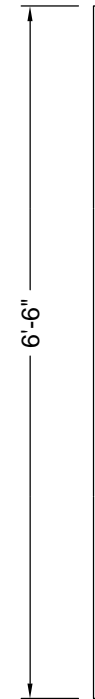
1  
VL101-3 **FOOTING SECTION - ELEVATION**  
Scale: None



2  
VL101-3 **FOOTING SECTION - PLAN**  
Scale: None

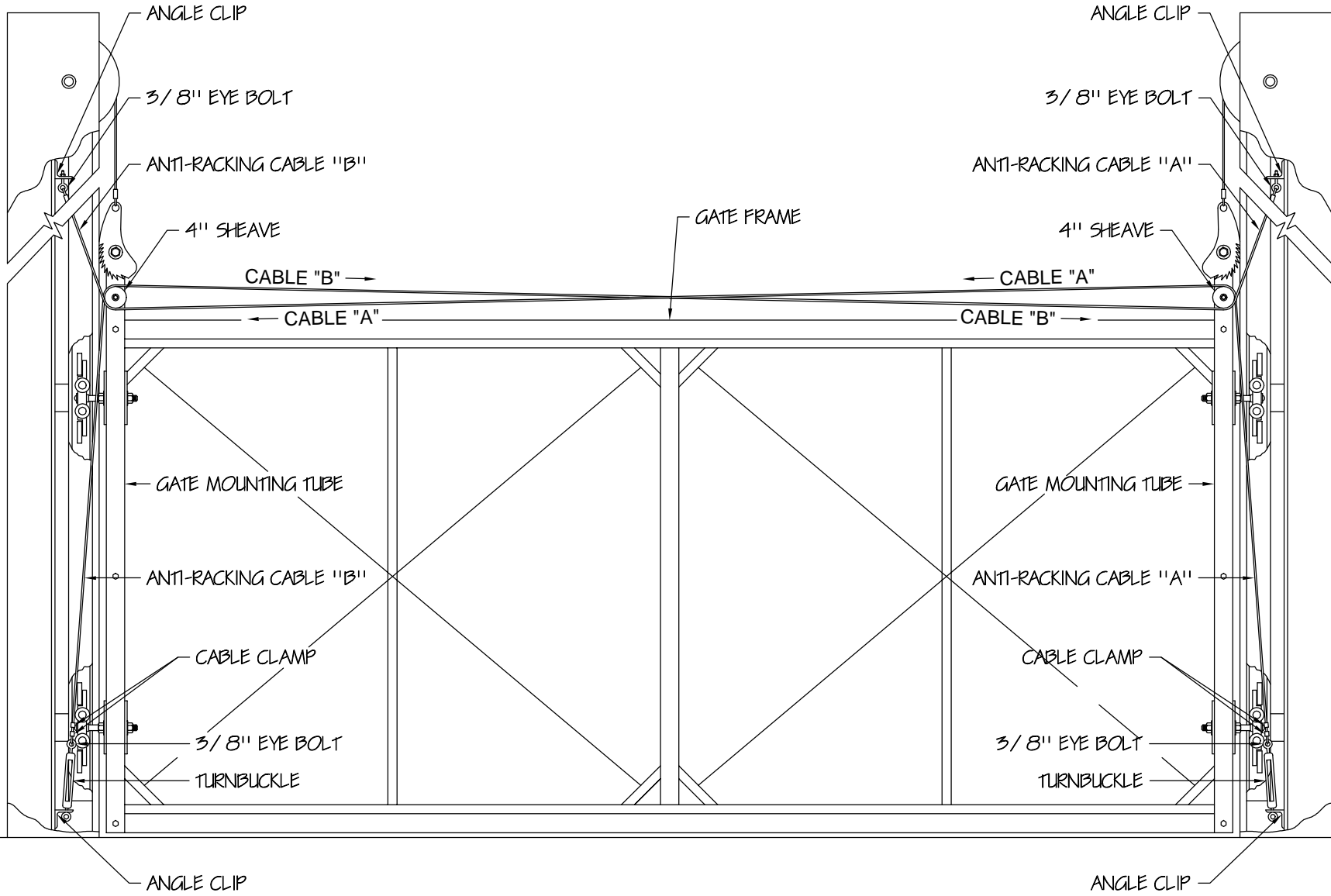


3  
VL101-2 **#4 BAR (20 TYP.)**  
Scale: None



3  
VL101-2 **#4 BAR (20 TYP.)**  
Scale: None

DIRECTORY/CAD FILE: <b>Heavy Duty Vertical Lift R7</b>		SHEET NUMBER: <b>3 of 4</b>		DRAWING NUMBER: <b>VL101-3</b>	
PROJECT: <b>Lifting Column Footing</b>		SUBJECT: <b>Lifting Column Footing</b>		CONTRACTOR:  ARCHITECT/ENGINEER:  	
DATE: <b>5-12-05</b>		DRAWN BY: <b>KEH</b>		SCALE: <b>As Noted</b>	
REVISION LEVEL: <b>7</b>		www.tymetal.com 2549 STATE ROUTE 40 GREENWICH, N.Y. 12834 PH:(800) 328-4283 - FX:(518) 692-9404			



DIRECTORY\CAD FILE:  
**Heavy Duty Vertical Lift R7**  
 SHEET NUMBER:  
**4 of 4**  
 DRAWING NUMBER:  
**VL101-4**

PROJECT:  
**Anti-Racking Mechanism**  
 SUBJECT:  
 CONTRACTOR:  
 ARCHITECT/ENGINEER:

DATE:  
**5-12-05**  
 DRAWN BY:  
**KEH**  
 SCALE:  
**As Noted**  
 REVISION LEVEL:  
**7**

**TYMETAL CORP.**  
 www.tymetal.com  
 2549 STATE ROUTE 40  
 GREENWICH, N.Y. 12834  
 PH:(800) 328-4283 - FX:(518) 692-9404